

ALFA43XE1HDS

Family	Ovens
Subfamily	Multifunction oven 4 trays 435x320 mm
Oven type	Multifunction
Oven control	Electronic
Trays capacity	4 trays 435x320 mm - GN2/3
Power supply	230 V~ / 13 A / 3,0 kW / 50 Hz
Steam generation	Direct
WiFi connection	Not available
Maximum depth with open door	1178 mm
Adjustable feet	Yes
Net weight	38.100 kg
Product dimensions WxDxH	608x600x537 mm
EAN code	8017709294366



Distribution

Solutions	Bars/Cafes; Hotels; Restaurants/Catering; Bakery/Pastry making; Industrial pastry&bakery laboratories; Buthcher's shops; QSR
------------------	---

Aesthetics










Colour	Stainless steel	Digit display color	White
Door with stainless steel stripes	Yes	Front panel	Yes
Display type	LCD	Logo	Smeg printed

Controls


Recipes number	99	Haccp data	Scheduled start H/12
Timer setting range	from 1 minute to 99 hours + endless	Self diagnostic	Yes
Cooking steps	3 + pre-heating		

Programs / Functions

Backing functions

 Fan forced	 Fan forced with humidification	 Fan forced with large grill
 Up & base	 Lower element	 Fan assisted base
 Upper and lower element with fan	 Large grill	 Fan grill

Adjustable fan speed:

 Adjustable fan speed

Options

Solutions	Restaurants/Catering
-----------	----------------------

Accessories Included

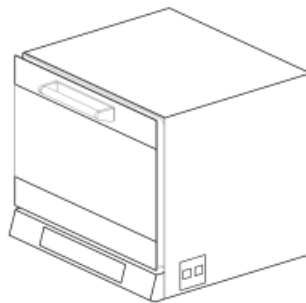
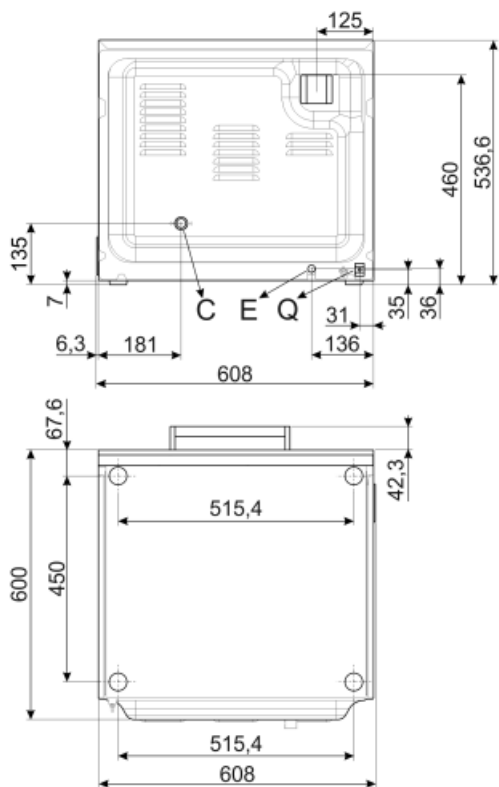
Aluminized tray 3820	kit of 4 pieces	Water connection pipe	Yes
----------------------	-----------------	-----------------------	-----

Electrical Connection

Plug	(F;E) Schuko
------	--------------

Construction

Oven materials	Ever Clean enamel	Water injection on each fan	Yes
Cavity dimensions (lxdxh)	460x360x425mm	Humidification levels	3 + manual
Internal net volume	54,5 lt	Exhaust position	Back
Cavity material	Ever Clean enamel	Timer type	Electronic timer
Shelves number	4	Temperature range	30-270°C
Tray frame support	Chrome	End cooking signal	Yes
Shelves distance	80 mm	Manual reset safety thermostat	Yes
Door construction	Yes	Removable deflector	Yes
Door opening	Tilting	Lighting	1 Halogen lamp
Handle type	Smeg	Light power	40 W
Openable glass	Removable	USB port	Si
Fan type and number	1	Water load pipe	Yes
Engine speed	2	Power cable length	115 cm
Engine speed	2	Back panel	Galvanized
Max standard speed motor rpm	2700 rpm	IPX protection	Scheduled start H/12
Low speed rpm	2100 rpm		



Q	MORSETTO EQUIPOTENZIALE EARTH TERMINAL
E	CAVO ALIMENTAZIONE ELETTRICA ELECTRICITY SUPPLY CABLE
C	TUBO DI CARICO (solo su alcuni modelli) FILLER HOSE (on some models only)

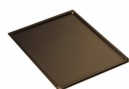
Not included accessories



3820
Flat aluminium tray



4730
External tank kit 5 lt.



3780
Flat non-stick trays



3755
Flat perforated aluminium tray



3926
Air flow reducer kit

Symbols glossary (TT)



Double speed fan



...



...



...



...



...



...



Lower heating element



Upper and lower element heating with fan



Fan grill heating