



# 800 SERIES CHAR BROILER

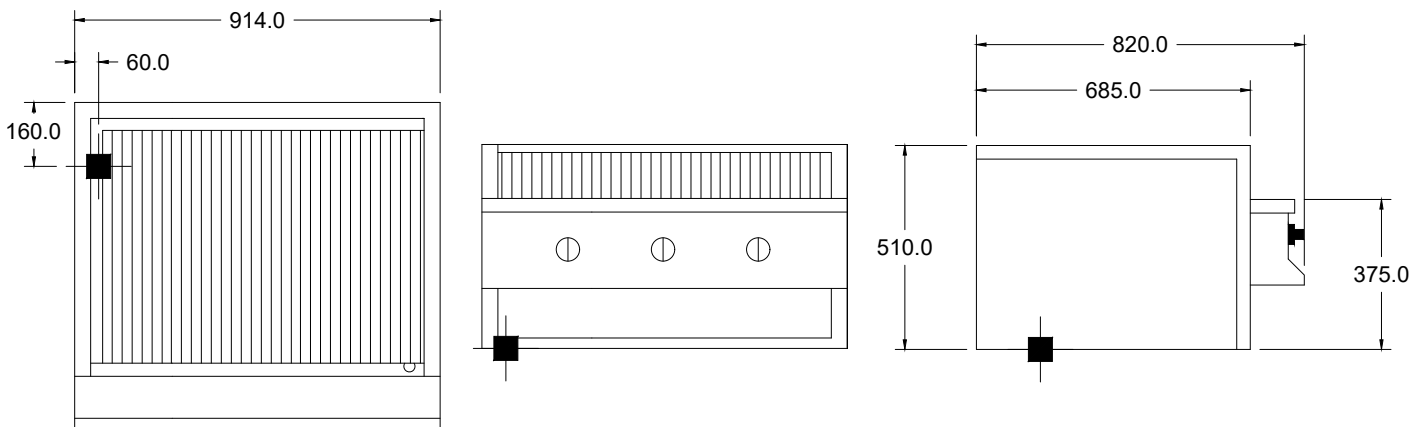


## CHDS36 - Gas

- Heavy duty cast iron grates provide greater control when cooking and energy efficiency
- Heavy duty fully welded steel body ensure rigidity and durability
- Stainless steel fascia and sides, spill zone and drip tray for ease of cleaning
- Pilot light standard maximising operating and energy efficiency

### Other options

Stand or bench mounted



## CHDS36

### SPECIFICATIONS

<b>Dimensions (WxDxH)</b>	914 x 820 x 510 mm
<b>Working height</b>	Adjustable
<b>Grill Size (WxD)</b>	800 x 600 mm

■ 3/4" BSP Gas Connection

<b>Gas Connection</b>	19 mm BSP
<b>Rating</b>	144 MJ
<b>Weight</b>	170 kg
<b>Packed</b>	0.4 m <sup>3</sup>

Australia's premier food service equipment manufacturer

[middleby.com.au](http://middleby.com.au)

211-217 Woodpark Road, Smithfield NSW 2164  
1800 013 123 | +61 2 9604 7333

 **MIDDLEBY GOLDSTEIN**

