

## Technical Specifications for CS-9C



### PROFESSIONAL

- S/S burners with cast iron radiant hood
- Optional ceramic rock configuration
- 33mj output per 300mm module
- Heavy-duty cast-iron J-grate (147mmx540mm) that can be rotated for inclined and level surface cooking
- Available freestanding or as a benchtop model
- Modular Professional series design
- 24 month 'Platinum Warranty'
- Easy to clean and service
- Suitable for gas types Natural, LPG and ULPG (specify when ordering)

#### Chargrill/Barbecue

- 33 mj S/S tube burners with pilot, FFD and piezo ignition
- Variable flame control valve with low flame setting
- Cast-iron heat distributing hood as standard
- Optional ceramic rocks for even heat and smokiness
- Optional cast iron ceramic rock tray
- Heavy duty cast iron 'diamond' grates 147mm x 540mm
- CS-9C bbq: 880mm x 520mm; 0.46m2 cooking area
- 2mm 304 stainless steel splash guards
- Chargrill undertray 0.9mm stainless steel

#### Overall Construction

- Heavy duty construction
- Welded 1.2mm 304 stainless steel front hob
- Front and side panels 0.9mm 304 stainless steel
- Splashback 1.2 mm 304 stainless steel
- Stainless steel legs with 55mm height adjustment range

#### Dimensions

- 900mm x 800mm x 1100mm H
- 900mm x 800mm x 597mm H (benchtop)
- Working height 900mm
- Weight 140kg
- Packed dimensions 900mm x 800mm x 1100mm H
- Packed weight 165kg

#### Connections

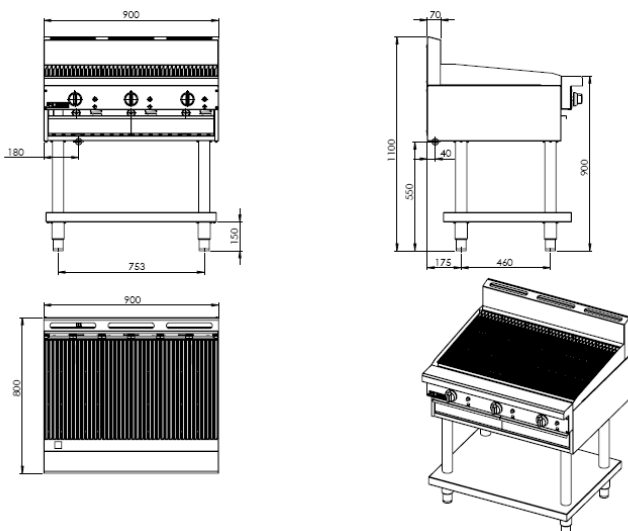
- Gas 3/4" BSP male
- 180mm from right, 40mm from rear, 550mm from floor
- Benchtop model gas connection: 50mm from bottom
- Supplied with gas regulator (specify Nat or LP on order)

#### Cleaning & Servicing

- Easy access to all parts & components from front

#### Options/Accessories

- Rear castors
- Front castors
- Joining caps
- Scallop low-contact grates
- J-shaped reversible grates
- RH and LH side shields
- Ceramic rocks (specify when ordering)
- Benchtop mount (specify when ordering)
- Night lid
- Flue deflector



	Model	Description	Nat Gas	LP Gas
	CS-9C	900 char	99 mj	99 mj