

apuro


Filter Coffee Machine

Instruction manual



**Model:
CT815-A**

Safety Tips

- Position on a flat, stable surface.
- A service agent/qualified technician should carry out installation and any repairs if required. Do not remove any components on this product.
- Consult Local and National Standards to comply with the following:
 - Health and Safety at Work Legislation
 - Fire Precautions
 - Wiring Regulations
 - Building Regulations
- **Caution! The surfaces are liable to get hot during use. Do not touch during and shortly after use!** 
- DO NOT use jet/pressure washers to clean the appliance.
- DO NOT immerse the appliance in water.
- Do not overfill the water reservoir.
- Ensure the power cord never touches the hotplate.
- DO NOT touch the hotplate when the appliance is on.
- DO NOT leave the appliance unattended during operation.
- DO NOT remove the filter basket during the filtration process.
- Never leave the empty glass jug on the hotplate when the coffee maker is on. Otherwise, the carafe is liable to crack.
- DO NOT place on or near hot surfaces such as a hob or radiant rings or near a naked flame.
- Suitable for indoor use only.
- Always switch off and disconnect the power supply to the appliance when cleaning or not in use.
- Never use accessories which are not recommended by the manufacturer. They could pose a safety risk to the user and might damage the appliance. Only use original parts and accessories.

- This appliance must only be used in accordance with these instructions and by persons competent to do so.
- This appliance can be used by children aged from 8 years and above and persons with reduced physical, sensory or mental capabilities or lack of experience and knowledge if they have been given supervision or instruction concerning use of the appliance in a safe way and understand the hazards involved. Cleaning and user maintenance shall not be made by children unless they are older than 8 and supervised.
- Keep the appliance and its cord out of reach of children aged less than 8 years.
- Children shall not play with the appliance.
- This appliance is intended to be used in household and similar applications such as:
 - staff kitchen areas in shops, offices and other working environments;
 - farm houses;
 - by clients in hotels, motels and other residential type environments;
 - bed and breakfast type environments.
- Keep all packaging away from children. Dispose of the packaging in accordance to the regulations of local authorities.
- If the power cord is damaged, it must be replaced by an Apuro agent or a recommended qualified technician in order to avoid a hazard.
- Apuro recommend that this appliance should be periodically tested (at least annually) by a Competent Person. Testing should include, but not be limited to: Visual Inspection, Polarity Test, Earth Continuity, Insulation Continuity and Functional Testing.

Introduction

Please take a few moments to carefully read through this manual. Correct maintenance and operation of this machine will provide the best possible performance from your Apuro product.

Pack Contents

The following is included:

- Apuro Filter Coffee Maker
- Filter basket
- 1.8L Glass jug
- Instruction manual

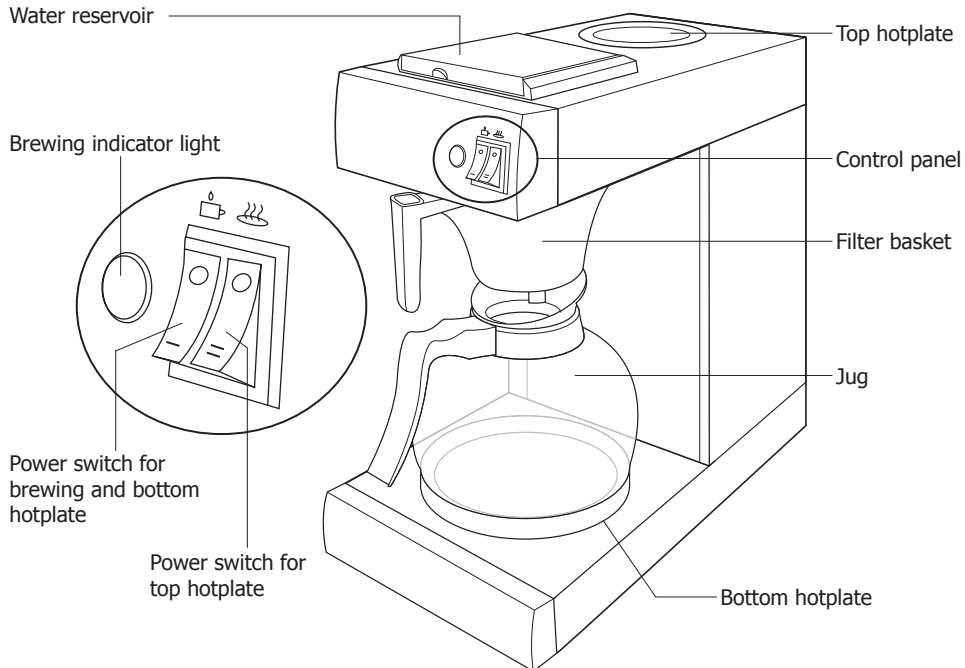
Apuro prides itself on quality and service, ensuring that at the time of packaging the contents are supplied fully functional and free of damage.

Should you find any damage as a result of transit, please contact your Apuro dealer immediately.

Installation

- The appliance is not suitable for installation in an area where a water jet could be used.
- Do not place the coffee maker on a highly polished wooden surface as damage may occur to the surface.

Operation



Preparation before first use

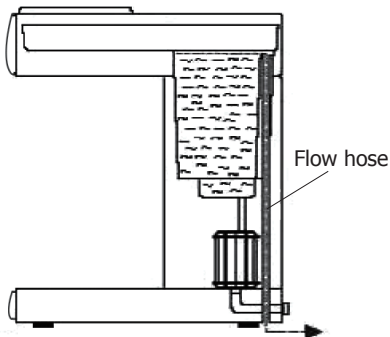
Apuro recommend that the appliance is cleaned out before using for the first time, or if the appliance has been sat unused for an extended period of time.


1. Slide the empty filter basket into position between the two basket tabs.
2. Place the jug on the bottom hotplate beneath the basket.
3. Fill the water reservoir with cold water.



Note:

- Use the jug to fill the water reservoir to ensure its maximum capacity is not exceeded. The maximum amount of water the reservoir can contain is 1.8L (Min. water to fill: 0.5L).
- If too much water is filled, excess water will drain out through the flow hose.



4. Connect to the mains power supply.
5. Turn the power switch for brewing  On. The brewing indicator light illuminates and the hot water will begin to fill the jug.



Note: During operation, steam may rise from the appliance and loud bubbling noises may be heard. This is perfectly normal.

6. Once finished the brewing indicator light will switch off. Discard the hot water in the jug.



Warning: The glass jug becomes hot during operation. Always pick up the jug by the handle to avoid injury.

7. Repeat steps 1-6. The appliance is now ready for use.





Caution:

- A small amount of water (approx. 0.5L) will always remain in the appliance. Do not tip over after use. Also ensure to note this when adding water again later.
- If the appliance is ever drained down, ensure to repeat the above preparation steps.

Making Coffee



Caution: The appliance is intended solely for brewing coffee. Never use it for any other purposes.


1. Place a paper filter inside the filter basket.
2. Measure the required amount of ground coffee into the filter paper and slide the filter basket into position.
3. Place the jug on the bottom hotplate beneath the basket.
4. Fill the water reservoir with cold water.
5. Turn the power switch for brewing  On. The brewing indicator light illuminates and the hot coffee will begin to fill the jug.
6. Once finished the brewing indicator light will switch off.
7. Leave the jug on the hotplate to keep warm, if required. Discard the coffee residue and filter paper from the filter basket.
8. To turn Off the hotplate, turn off the power switch .



Warning: The hotplate becomes hot during operation. Do not touch during and shortly after use!

Using the top hotplate

This appliance is fitted with a second hotplate to keep an additional jug warm. To use:

1. Place the jug on the top hotplate.
2. Turn the power switch  On for the top hotplate.
3. Ensure to turn the top hotplate off when not in use.



Warning!
The surrounding surface of the hotplate may become hot. **DO NOT touch!** Never heat an empty Jug on the hotplate, or allow the Jug to run dry.

Overheating protection

This appliance is featured with overheating protection. Should the temperature exceed safe levels the appliance will automatically cut off power.



Caution!
In case the protection against overheating is activated, please let the appliance cool and press the **RESET** button on the back.

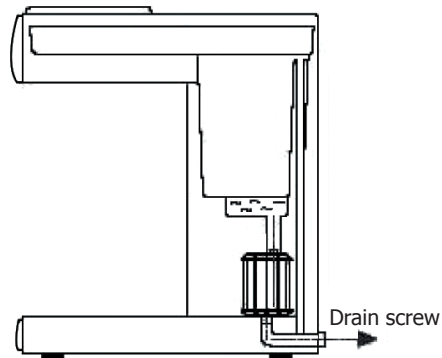
Cleaning, Care & Maintenance



- Warning!**
- Turn off and disconnect the appliance from the power supply. Allow to cool sufficiently before cleaning and maintenance.
 - Prior to cleaning, moving or transporting the appliance, ensure to empty the water reservoir.

Emptying the water reservoir

- A small amount of water (approx. 0.5L) will always remain in the appliance. Do not tip over after use to drain water.
- The remaining water should only be drained using the drain screw at the back of the device.



- Re-tighten the water drain screw firmly afterwards.



Warning!
DO NOT loosen the water drain screw during operation or shortly after use! Risk of scalding!

Cleaning

- Use soapy water and a damp cloth to clean the exterior of the appliance.
- Wash the glass jug and filter basket with warm soapy water. Then rinse with clean water.
- Dry thoroughly after cleaning.



Caution!
Clean the device regularly and remove any lime scale. Refer to the instructions on next page for descaling details.

Descaling


In hard water areas limescale can build up within the appliance after prolonged use. For best taste and extended appliance life, descale it regularly. Installation of a water filtration system is also recommended.

Apuro recommend descaling your unit every 2 weeks or more frequently in case of heavy uses. To descale the appliance:

1. Pour a solution of descaler and water into the reservoir.



Use a suitable descaler and follow the manufacturer's instructions on the descaler's container.

2. Turn the power switch for brewing  On.
3. After the solution begins to drop into the jug, turn the appliance Off.
4. Wait 5 - 6 minutes to let the solution dissolve the deposits inside. Then turn the appliance back On.
5. After the entire solution has worked through the system, turn the appliance Off.
6. Discard the solution collected in the jug.
7. Fill the reservoir with clean water and turn the appliance back On to flush out the system and remove any descaler residue. Discard the collected water and rinse the jug. Repeat with clean water 2 more times to flush out.
8. Drain the water completely using the drain screw at the back.
9. The appliance is now ready again for use.



IMPORTANT: Failure to descale or maintain will invalidate your guarantee.

Troubleshooting

Fault	Probable Cause	Solution
The unit is not working	The unit is not switched on	Check the unit is plugged in correctly and switched on
	Plug or lead is damaged	Call Apuro agent or qualified Technician
	Power supply	Check power supply
Coffee is not coming from the filter basket	No water in reservoir	Turn Off and fill reservoir
	Coffee is too compact within the filter	Turn off, loosen coffee within the filter and resume
Loud noise coming from appliance	No water in reservoir	Turn Off and fill reservoir
Appliance shuts off suddenly	Overheating protection is activated	Let the appliance cool and press the RESET button on the back

Technical Specifications

Model	Voltage	Power	Current	Reservoir Capacity	Dimensions h x w x d mm	Weight
CT815-A	220-240V~ 50/60Hz	2000W	8.7A	1.8 litre	460 x 215 x 400	6.5Kg

Electrical Wiring

The plug is to be connected to a suitable mains socket.

This appliance is wired as follows:

- Live wire (coloured brown) to terminal marked L
- Neutral wire (coloured blue) to terminal marked N
- Earth wire (coloured green/yellow) to terminal marked E

This appliance must be earthed.



If in doubt consult a qualified electrician.

Electrical isolation points must be kept clear of any obstructions. In the event of any emergency disconnection being required they must be readily accessible.

Compliance

The product must not be disposed of as household waste. To help prevent possible harm to human health and/or the environment, the product must be disposed of in an approved and environmentally safe recycling process. For further information on how to dispose of this product correctly, contact the product supplier, or the local authority responsible for waste disposal in your area.

Apuro parts have undergone strict product testing in order to comply with regulatory standards and specifications set by international, independent, and federal authorities.



Apuro products have been approved to carry the following symbol:

All rights reserved. No part of these instructions may be produced or transmitted in any form or by any means, electronic, mechanical, photocopying, recording or otherwise, without the prior written permission of Apuro.

Every effort is made to ensure all details are correct at the time of going to press, however, Apuro reserve the right to change specifications without notice.

DECLARATION OF CONFORMITY

- Conformanceverklaring • Déclaration de conformité • Konformitätserklärung • Dichiarazione di conformità •
- Declaración de conformidad • Declaração de conformidade

Equipment Type • Uitrustingstype • Type d'équipement • Gerätetyp • Tipo di apparecchiatura • Tipo de equipo • Tipo de equipamento		Model • Modèle • Modell • Modello • Modelo • Malli
Coffee Machine		CT815-A
Application of Territory Legislation & Council Directives(s) Toepassing van Europese Richtlijn(en) • Application de la/des directive(s) du Conseil • Anwendbare EU-Richtlinie(n) • Applicazione delle Direttive • Aplicación de la(s) directiva(s) del consejo • Aplicação de directiva(s) do Conselho	Electrical safety AS/NZS 60335.1:2011 +A1:2012 +A2:2014 +A3:2015 +A4:2017 AS/NZS 60335.2.15:2013 +A1:2016 +A2:2017 +A3:2018 +A4:2019 +A5:2019 EN 62233:2008 Electro-Magnetic Compatibility EN 55014-1:2017 EN 55014-2:2015 EN 61000-3-2: 2014 EN 61000-3-3: 2013	
Producer Name • Naam fabrikant • Nom du producteur • Name des Herstellers • Nome del produttore • Nombre del fabricante • Nome do fabricante		Apuro

I, the undersigned, hereby declare that the equipment specified above conforms to the above Territory Legislation, Directive(s) and Standard(s).

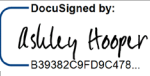

Ik, de ondergetekende, verklaar hierbij dat de hierboven gespecificeerde uitrusting goedgekeurd is volgens de bovenstaande Richtlijn(en) en Standaard(en).

Je soussigné, confirme la conformité de l'équipement cité dans la présente à la / aux Directive(s) et Norme(s) ci-dessus Ich, der/die Unterzeichnende, erkläre hiermit, dass das oben angegebene Gerät der/den oben angeführten Richtlinie(n) und Norm(en) entspricht.

Il sottoscritto dichiara che l'apparecchiatura di sopra specificata è conforme alle Direttive e agli Standard sopra riportati.

El abajo firmante declara por la presente que el equipo arriba especificado está en conformidad con la(s) directiva(s) y estándar(es) arriba mencionadas.

Eu, o abaixo-assinado, declaro que o equipamento anteriormente especificado está em conformidade com a(s) anterior(es) Directiva(s) e Norma(s)

Date • Data • Datum • Data • Fecha • Data	4th February 2021	
Signature • Handtekening • Signature • Unterschrift Firma • Firma • Assinatura	DocuSigned by:  B39382C9FD9C478...	DocuSigned by:  3582E210C4054DA...
Full Name • Volledige naam • Nom et prénom • Vollständiger Name • Nome completo • Nombre completo • Nome por extenso	Ashley Hooper	Josie Holt
Position • Functie • Fonction • Position • Qualifica • Posición • Função	Technical & Quality Manager	Commercial Manager/ Responsible Supplier
Producer Address • Adres fabrikant • Adresse du producteur • Anschrift des Herstellers • Indirizzo del produttore • Dirección del fabricante • Morada do fabricante	Fourth Way, Avonmouth, Bristol, BS11 8TB United Kingdom	15 Bagdally Road, Campbelltown NSW 2560



apuro

CT815-A_A5_v2_20210218