

Technical Specifications for EHW-1C, EHW-1C1P, EHW-2C



EHW-1C

Induction HP Wok

- 15kW rapid induction high-frequency coil technology
- 6mm microcrystalline seamless and impact-resistant glass
- Large 400mm diameter glass bowl suited to 500mm+ woks
- 8 level heat settings with LED visual power display
- Auto detection turns heating off when wok is removed
- Front water control lever operation of rear laundry arm
- Front gutter design for easier cleaning
- Rear condiment shelf for chef's convenience
- Zinc-aluminium alloy burner handle
- AISI grade stainless used on all external panels
- 1.5mm SS304 one-piece pressed deck
- High quality engineering and craftsmanship throughout
- Isolated bottom ensures user safety at all times

Connections

- Electric - hard wired or fit cable and plug (not supplied)
- Water inlet 1/2" threaded BSP male
- Drain 2" BSP male

Options/Accessories

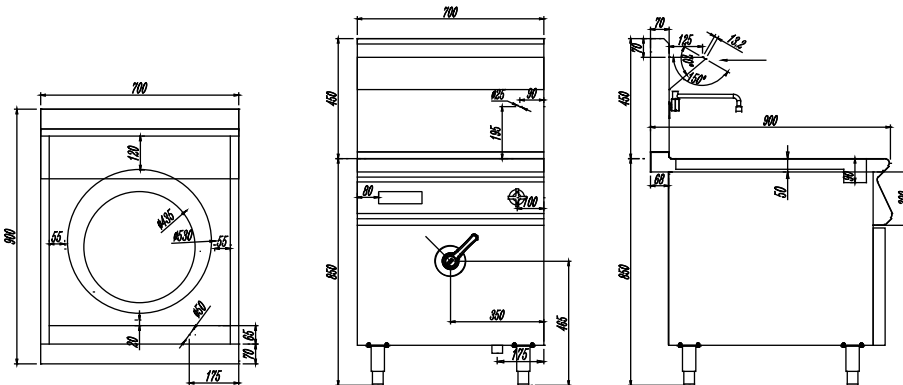
- Low splashback customisations
- Clip on front wok holder

Wok Seasoning

- Using a low heat setting to season woks is recommended

INDUCTION

- Fastest and most powerful induction wok on the market
- 15kW per ring capable of boiling 2L of water in 50 seconds
- Instant heat transfer delivering unmatched performance
- Precise temperature control with visual LED display
- Achieve "wok hei" in stir-fry dishes without an open flame
- Supplied with a 500mm wok as standard inclusion
- Lower ambient heat for a more comfortable kitchen
- 90%+ thermal efficiency results in lower energy costs
- Safer than gas with zero carbon emissions or combustion
- Durable, versatile, and easy to clean and service
- 2* Year Parts and Labour 'Platinum Warranty'



Model	Description	Dimensions	Power
EHW-1C	One Hole High Powered Induction Wok	700w x 900d x 1300h	15kW, 21.7A, 3PH, 50Hz
EHW-1C1P	One Hole + Side Pot High Powered Induction Wok	1100w x 900d x 1300h	15kW, 21.7A, 3PH, 50Hz
EHW-2C	Two Hole High Powered Induction Wok	1400w x 900d x 1300h	15+15kW, 21.7+21.7A, 3PH, 50Hz