

Technical Specifications ESP-1C



ESP-1C

Induction Stockpot Boiler

- 15kW rapid induction high-frequency coil technology
- 6mm microcrystalline seamless & impact-resistant glass
- Suitable for use with pots up to 600mmD (approx 165L)
- 8 level heat settings with LED visual power display
- Auto detection turns heating off when pot is removed
- Running water accessible via rear laundry arm
- Zinc-aluminium alloy burner handle
- AISI grade stainless used on all external panels
- 1.5mm SS304 one-piece pressed deck
- High quality engineering and craftsmanship throughout
- Isolated bottom ensures user safety at all times

Connections

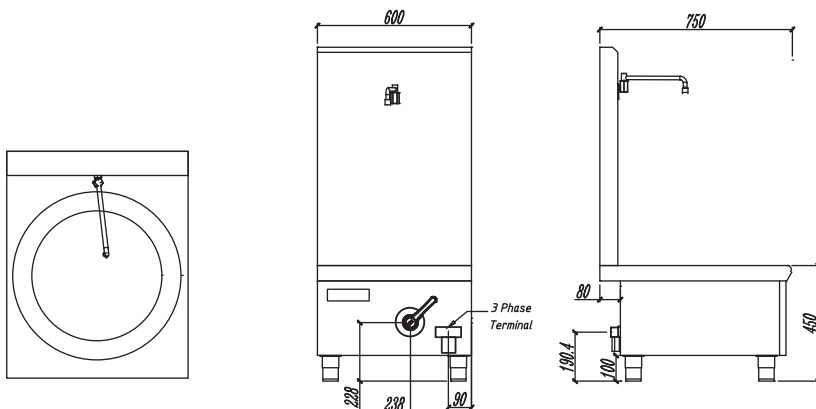
- Electric - hard wired or fit cable and plug (not supplied)
- Water inlet 1/2" threaded BSP male
- Drain 2" BSP male

Options/Accessories

- Low splashback customisations

INDUCTION

- Bring stock to the boil quickly; then reduce heat to simmer
- Instant heat transfer delivering unmatched performance
- Precise temperature control with visual LED display
- Lower ambient heat for a more comfortable kitchen
- 90%+ thermal efficiency results in lower energy costs
- Safer than gas with zero carbon emissions or combustion
- Durable, versatile, and easy to clean and service
- 2* Year Parts and Labour 'Platinum Warranty'



Model	Description	Dimensions	Power
ESP-1C	Single Induction Stockpot Boiler	600w x 750d x 1300h	15kW, 21.7A, 3PH, 50Hz