

## Technical Specifications for ESW-1C, ESW-2C



ESW-2C

### INDUCTION

- 8kW per ring capable of boiling 2L of water in 90 seconds
- Fast and powerful with instant heat transfer to wok
- Precise temperature control with visual LED display
- Achieve “wok hei” in stir-fry dishes without an open flame
- Supplied with a 400mm wok as standard inclusion
- Lower ambient heat for a more comfortable kitchen
- 90%+ thermal efficiency results in lower energy costs
- Safer than gas with zero carbon emissions or combustion
- Durable, versatile, and easy to clean and service
- 2\* Year Parts and Labour ‘Platinum Warranty’

#### Induction Wok

- 8kW rapid induction high-frequency coil technology
- 6mm microcrystalline seamless and impact-resistant glass
- 300mm diameter glass bowl suited to 400mm+ woks
- 8 level heat settings with LED visual power display
- Auto detection turns heating off when wok is removed
- Front water control lever operation of rear laundry arm
- Front gutter design for easier cleaning
- Rear condiment shelf for chef’s convenience
- Zinc-aluminium alloy burner handle
- AISI grade stainless used on all external panels
- 1.5mm SS304 one-piece pressed deck
- High quality engineering and craftsmanship throughout
- Isolated bottom ensures user safety at all times

#### Connections

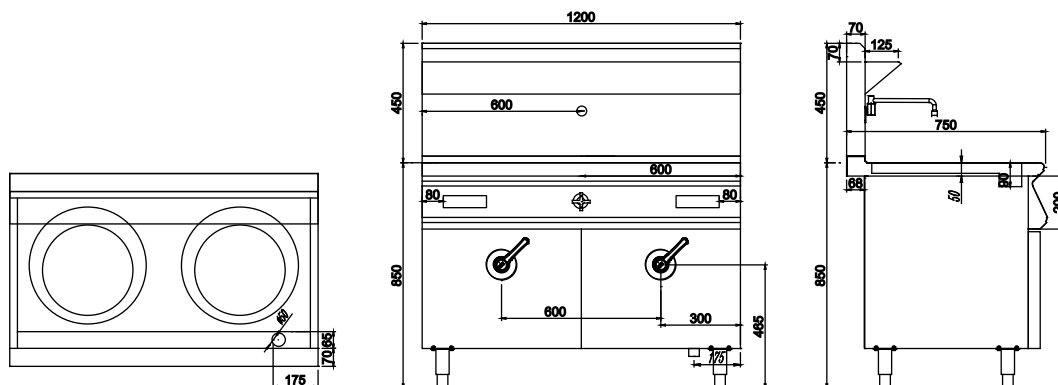
- Electric - hard wired or fit cable and plug (not supplied)
- Water inlet 1/2" threaded BSP male
- Drain 2" BSP male

#### Options/Accessories

- Low splashback customisations
- Clip on front wok holder

#### Wok Seasoning

- Using a low heat setting to season woks is recommended



Model	Description	Dimensions	Power
ESW-1C	One Hole Induction Wok	600w x 750d x 1300h	8kW, 11.1A, 3PH, 50Hz
ESW-2C	Two Hole Induction Wok	1200w x 750d x 1300h	16kW, 22.3A, 3PH, 50Hz