

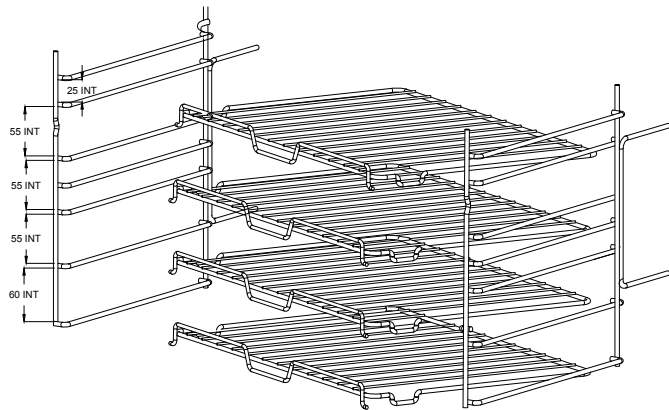
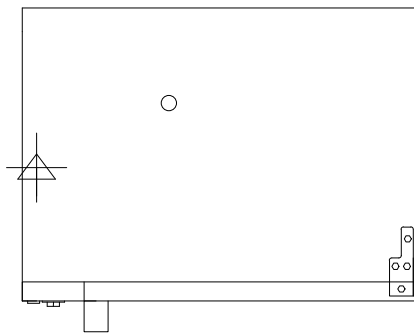
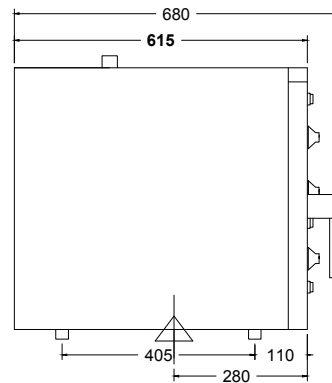
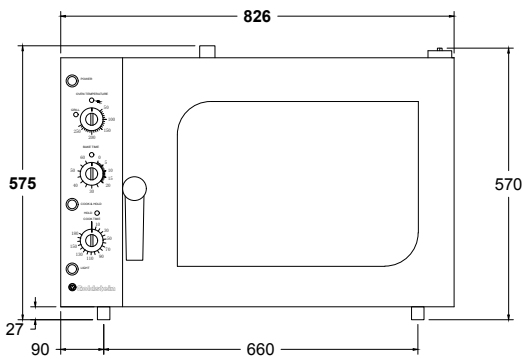


Convection oven

Ezybake

EZ26 - Electric

- Fan forced for high production capacity
- Manual controls with cook & hold
- Glass door and stainless steel body
- Gastronorm tray compatibility



EZ26

SPECIFICATIONS

Dimensions (WxDxH)	826 x 680 x 575 mm
Oven size (WxDxH)	535 x 385 x 365 mm
Functions	Bake, grill, cook & hold

▶ 240V/15A Plug

Electric Connection	240V, 15amp
Rating	3.2kW
Weight	35 kg
Packed	0.3 m ³

Australia's premier food service equipment manufacturer

middleby.com.au

211-217 Woodpark Road, Smithfield NSW 2164
1800 013 123 | +61 2 9604 7333

MIDDLEBY AUSTRALIA

