



Fish Display Cabinet

Instruction manual



Trolley stand sold separately

Model:
GE960-A / GE961-A

Safety Instructions

- Position on a flat, stable surface.
- A service agent/qualified technician should carry out installation and any repairs if required. Do not remove any components or service panels on this product.
 - **In Queensland the service agent/qualified technician MUST hold a Gas Work Authorisation or License for hydrocarbon refrigerants if the appliance gas system is being opened or charged.**
- Consult Local and National Standards to comply with the following:
 - Health and Safety at Work Legislation
 - Fire Precautions
 - Wiring Regulations
 - Building Regulations
- DO NOT immerse the appliance in water, or use jet/pressure washers to clean the appliance.
- Do not use the appliance for anything other than its intended use.
- Always switch off and disconnect the power supply to the appliance when not in use.
- Not suitable for outdoor use.
- Keep all packaging away from children. Dispose of the packaging in accordance to the regulations of local authorities.
- If the power cord is damaged, it must be replaced by a POLAR agent or a recommended qualified technician in order to avoid a hazard.
- This appliance is not intended for use by persons (including children) with reduced physical, sensory or mental capabilities, or lack of experience and knowledge, unless they have been given supervision or instruction concerning the use of the appliance by a person responsible for their safety.
- Children should be supervised to ensure that they do not play with the appliance.
- POLAR recommend that this appliance should be periodically tested (at least annually) by a Competent Person. Testing should include, but not be limited to: Visual Inspection, Polarity Test, Earth Continuity, Insulation Continuity and Functional Testing.

Caution: Risk of fire / Flammable materials

- Do not store explosive substances such as aerosol cans with a flammable propellant in this appliance.



Warning: Keep all ventilation openings clear of obstruction. Unit should not be boxed in without adequate ventilation.

- **To comply with AS/NZS 60079.10.1:2009: Ensure there are not sources of ignition in any area where refrigerant could gather in the event of a leak.**
- **Electrical equipment should not be placed under the vent or where refrigerant could gather in the event of a leak.**
- **Warning:** Do not use mechanical devices or other means to accelerate the defrosting process, other than those recommended by the manufacturer.
- **Warning:** Do not damage the refrigerant circuit.
- **Warning:** Do not use electrical appliances inside the food storage compartments of the appliance.

Introduction

Please take a few moments to carefully read through this manual. Correct maintenance and operation of this machine will provide the best possible performance from your POLAR product.

Pack Contents

The following is included:

POLAR fish display cabinet

Instruction Manual

POLAR prides itself on quality and service, ensuring that at the time of unpacking the contents are supplied fully functional and free of damage.

Should you find any damage as a result of transit, please contact your POLAR dealer immediately.

Installation

Note: Not for use in vans or trailers, food trucks or similar vehicles.

Note: If the unit has not been stored or moved in an upright position, let it stand upright for approximately 12 hours before operation. If in doubt allow to stand.

1. Remove the appliance from the packaging. Make sure that all protective plastic film and coatings are thoroughly removed from all surfaces.
2. To optimize performance and longevity, ensure a minimum clearance of 2.5cm is maintained between the unit and walls and other objects, with a minimum 20cm clearance on the top. **NEVER LOCATE NEXT TO A HEAT SOURCE.**

Note: Before using the appliance for the first time, clean the interior with soapy water then dry well.

Operation

- **The appliance is designed for display purpose only and not for storage.**
- **Remove any water that may be present before and after usage, using the drain hose beneath the base.**

Control Panel

The control panel is located below the doors on the rear of the appliance.



	Refrigerant LED: During refrigerating, LED is on; When the set temperature is reached and constant, LED is off.
	Defrost LED: During defrosting, LED is on; When defrosting finishes, LED is off.
	Up Button
	Down Button
	Manual defrost button / Light button
SET	Set button

Note: When using for fish display purpose, put suitable amount of ice in the cabinet first, away from the sensor at the corner.

Turn On

1. Close the doors of the appliance.
2. Connect the appliance to a mains power supply.
3. Press the button to turn the light On or Off as required.

Adjusting the Temperature

1. Press the SET button. The set temperature is displayed.
2. Press up button or down button to change set temperature.
3. Press **SET** button to exit.

Manual Defrost

To start/stop manual defrost, press and hold defrost button for 6 seconds. The defrost cycle will end automatically.

Note: Carry out a manual defrost if excessive ice is present.

Cleaning, Care & Maintenance

- **Switch off and disconnect from the power supply before cleaning.**
- Clean the interior of the appliance as often as possible.
- Do not use abrasive cleaning agents. These can leave harmful residues.
- Always wipe dry after cleaning.

Condensation and ice will form with frequent and prolonged opening of the doors. Operating outside of the recommend temperature range and placing next to a heat source will also increase the amount of ice and internal/external condensation. If external condensation occurs wipe the surface down with a cloth. Excessive ice will result in longer running times that will increase energy consumption and increase the deterioration of components.

Replacing the Interior Lamp

Call your POLAR dealer or a qualified electrician, the Lamp Assembly is available to purchase as a spare part.

Cleaning the Condenser

Periodic cleaning of the Condenser can extend the life of the appliance. POLAR recommend that a POLAR agent or qualified technician clean the condenser.

Troubleshooting

A qualified technician must carry out repairs if required.

Fault	Probable Cause	Solution
The appliance is not working	The unit is not switched on	Check the unit is plugged in correctly and switched on
	Plug or lead are damaged	Replace plug or lead
	Mains power supply fault	Check mains power supply
The appliance is not cooling	Too much ice on the condenser	Defrost the appliance
	Condenser blocked with dust	Clean the condenser
	Doors are not shut properly	Check doors are shut and seals are not damaged
	Appliance is located near a heat source, in the direct sunlight or air flow to the condenser is being interrupted	Move the refrigerator to a more suitable location
	Ambient temperature is too high	Increase ventilation or move appliance to a cooler position
	Appliance is overloaded	Reduce the amount of food stored in the appliance
The appliance is noisy	Appliance is not level	Adjust position to make it level
	Appliance is too close to a wall or other object	Move to a more suitable location
Error code EE4	<ul style="list-style-type: none"> Restricted Airflow Blocked Condenser 	<ul style="list-style-type: none"> Increase airflow Clean the condenser

Technical Specifications

Due to our continuing program of research and development, the specifications herein may be subject to change without notice.

Model	Voltage	Power (W)	Current (A)	Capacity (L)	Temp. range	Refrigerant	Dimensions H x W x D mm	Weight (kg)
GE960-A	220-240V~ 50Hz	200	0.9	175	0 ~ 7°C	R600a 40g	560 x 915 x 890	56.3
GE961-A		200	0.9	255	0 ~ 7°C	R600a 60g	560 x 1245 x 890	70

Electrical Wiring

The plug is to be connected to a suitable mains socket.

The appliance is wired as follows:

- Live wire (coloured brown) to terminal marked L
- Neutral wire (coloured blue) to terminal marked N
- Earth wire (coloured green/yellow) to terminal marked E



This appliance must be earthed.

If in doubt consult a qualified electrician.

Electrical isolation points must be kept clear of any obstructions. In the event of any emergency disconnection being required they must be readily accessible.

Compliance

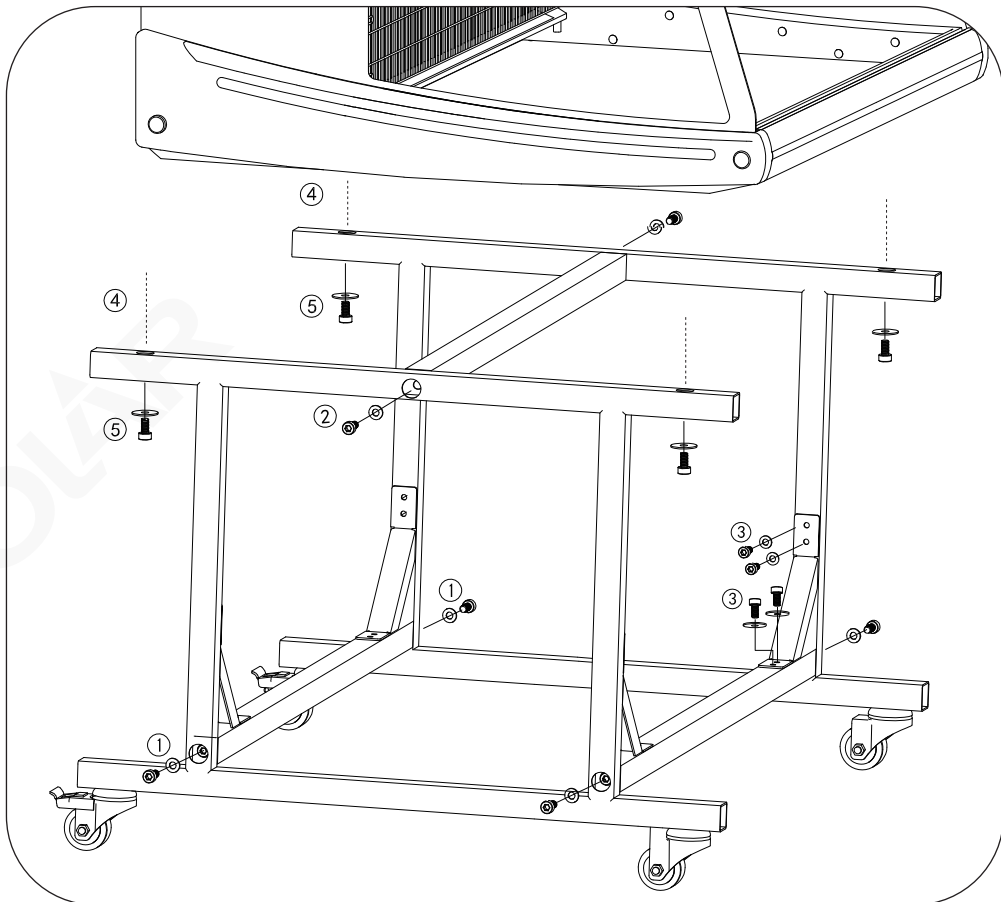
The product must not be disposed of as household waste. To help prevent possible harm to human health and/or the environment, the product must be disposed of in an approved and environmentally safe recycling process. For further information on how to dispose of this product correctly, contact the product supplier, or the local authority responsible for waste disposal in your area.

POLAR parts have undergone strict product testing in order to comply with regulatory standards and specifications set by international, independent, and federal authorities.

POLAR products have been approved to carry the following symbol:



All rights reserved. No part of these instructions may be produced or transmitted in any form or by any means, electronic, mechanical, photocopying, recording or otherwise, without the prior written permission of POLAR.
Every effort is made to ensure all details are correct at the time of going to press, however, POLAR reserve the right to change specifications without notice.



Assemble the stand as shown by steps 1-3. **Step 4:** Unscrew the feet from the bolts on the bottom of the fish display unit then insert the bolts into the holes on the trolley top. **Step 5:** Secure with the screws and washers.

DECLARATION OF CONFORMITY

- Conformiteitsverklaring • Déclaration de conformité • Konformitätserklärung • Dichiarazione di conformità •
• Declaración de conformidad

Equipment Type • Uitrustingstype • Type d'équipement • Gerätetyp • Tipo di apparecchiatura • Tipo de equipo	Model • Modèle • Modell • Modello • Modelo
'G Series' Fish Display Cabinet 175L 'G Series' Fish Display Cabinet 255L	GE960 (-E & -A) GE961 (-E & -A)
Application of Territory Legislation & Council Directives(s) Toepassing van Europese Richtlijn(en) • Application de la/des directive(s) du Conseil • Anwendbare EU-Richtlinie(n) • Applicazione delle Direttive • Aplicación de la(s) directiva(s) del consejo	<p>Machinery Directive 2006/42/EC Supply of Machinery (Safety) Regulations 2008 EN 60335-1:2012 +A11:2014 +A13:2017 +A1:2019 +A14:2019 +A2:2019 EN 60335-2-89:2010 +A1:2016 +A2:2017 EN 62233:2008</p> <p>Electro-Magnetic Compatibility (EMC) Directive 2014/30/EU - recast of 2004/108/EC Electromagnetic Compatibility Regulations 2016 (S.I. 2016/1091) EN 61000-6-3:2007 +A1:2011 EN IEC 61000-6-1:2019</p> <p>Restriction of Hazardous Substances Directive (RoHS) 2015/863 amending Annex II to Directive 2011/65/EU Restriction of the Use of Certain Hazardous Substances in Electrical and Electronic Equipment Regulations 2012 (S.I. 2012/3032)</p>
Producer Name • Naam fabrikant • Nom du producteur • Name des Herstellers • Nome del produttore • Nombre del fabricante	Polar

I, the undersigned, hereby declare that the equipment specified above conforms to the above Territory Legislation, Directive(s) and Standard(s).

Ik, de ondergetekende, verklaar hierbij dat de hierboven gespecificeerde uitrusting goedgekeurd is volgens de bovenstaande Richtlijn(en) en Standaard(en).

Je soussigné, confirme la conformité de l'équipement cité dans la présente à la / aux Directive(s) et Norme(s) ci-dessus

Ich, der/die Unterzeichnende, erkläre hiermit, dass das oben angegebene Gerät der/den oben angeführten Richtlinie(n) und Norm(en) entspricht. Il sottoscritto dichiara che l'apparecchiatura di sopra specificata è conforme alle Direttive e agli Standard sopra riportati.

El abajo firmante declara por la presente que el equipo arriba especificado está en conformidad con la(s) directiva(s) y estándar(es) arriba mencionadas.

Date • Data • Date • Datum • Data •

Fecha • Data

Signature • Handtekening •

Signature • Unterschrift Firma •

Firma

Full Name • Volledige naam • Nom

et prénom • Vollständiger Name •

Nome completo • Nombre completo

Position • Functie • Fonction •

Position • Qualifica • Posición

Producer Address • Adres fabrikant •

Adresse du producteur • Anschrift

des Herstellers • Indirizzo del

produttore • Dirección del fabricante

11th August 2022

DocuSigned by:

Ashley Hooper

B39382C9FD9C478...

Ashley Hooper

DocuSigned by:

Eoghan Donnellan

D352874F7FAB460...

Eoghan Donnellan

DocuSigned by:

Brendan Denmeade

D052C5837EB7465...

Brendan Denmeade

Technical & Quality
Manager

Commercial
Manager/ Importer

Commercial Manager/ Responsible
Supplier

Fourth Way,
Avonmouth,
Bristol,
BS11 8TB
United Kingdom

Unit 9003,
Blarney Bus. Park,
Blarney,
Co. Cork
Ireland

15 Bagdally Road,
Campbelltown
NSW 2560



POLAR



<http://www.polar-refrigerator.com/> 

GE960-A_GE961-A_A5_v2_2024/03/21