



800 SERIES GRIDDLE/TOASTER

12 mm plate, bench model

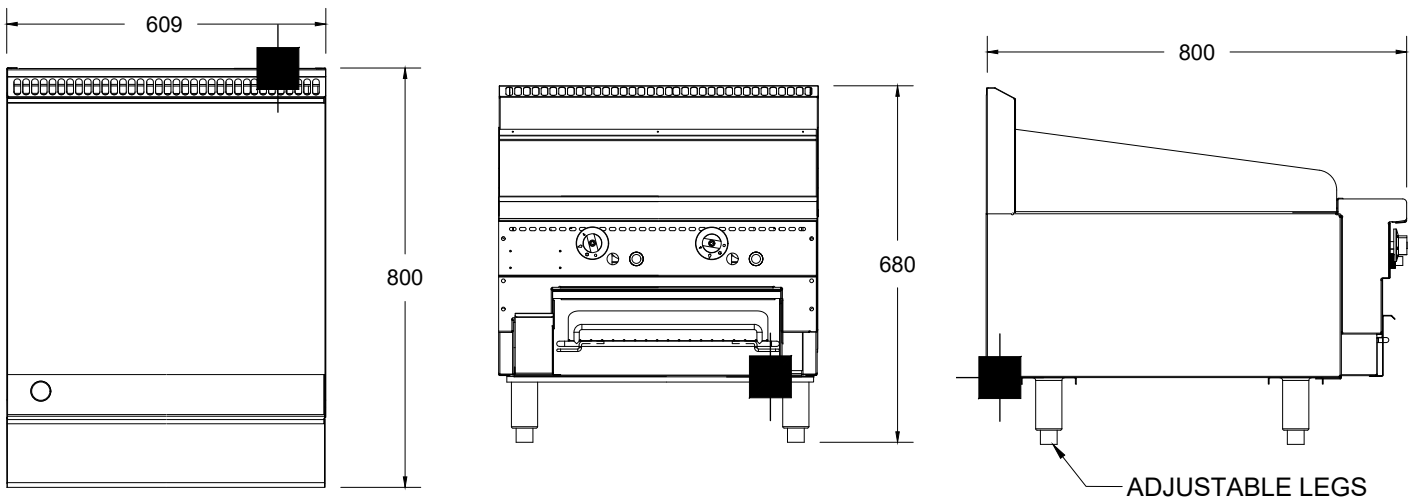
GPGDBSA24 - Gas



- 12 mm thick Mild Steel Plate assists with heat retention and even cooking
- Front grease trough, generous chute and catcher
- Stainless Steel fascia and sides, spill zone and grease can for ease of cleaning

Other options

Machined steel or ribbed plates



GPGDBSA24

SPECIFICATIONS

Dimensions (WxDxH)	610 x 800 x 685 mm
Plate size (WxDxH)	610 x 520 x 12 mm
Gas connection	3/4" BSP

■ 3/4" BSP Gas Connection

Rating	35 MJ
Weight	120 kg
Packed	0.3 m ³

Australia's premier food service
equipment manufacturer

middleby.com.au

211-217 Woodpark Road, Smithfield NSW 2164
1800 013 123 | +61 2 9604 7333

 **MIDDLEBY GOLDSTEIN**

