



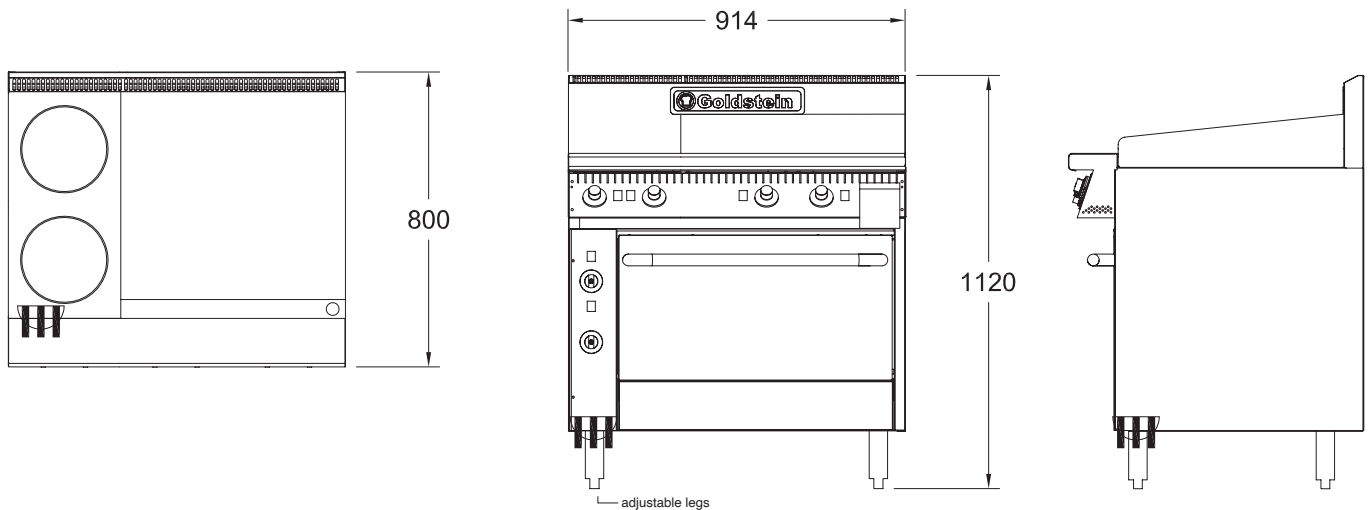
800 SERIES OVEN RANGES

711 mm Static Oven



PE2S24G28 - Electric

- 2 kW solid hot plates available for all models
- Stainless steel fascia and sides, spill zone and drip trays for ease of cleaning
- Flexible, modular cooktop design enables many combinations of elements and griddle
- Oven in gastronorm compatible sizes
- Ovens are fully insulated vitreous enamel for even heat and easy cleaning
- Heavy duty welded steel body for rigidity and durability



PE2S24G28

SPECIFICATIONS

Dimensions (WxDxH)	914 x 800 x 1120 mm
Working height	914 mm
Oven Size (WxDxH)	711 x 560 x 355 mm
Solid Plates	2
Griddle size (WxH)	610 x 12 mm

Weight	220 kg
Packed	0.5 m ³
Electric Connection	3 phase, 415V + N + E
Rating	22.5 kW

Australia's premier food service
equipment manufacturer

 **MIDDLEBY AUSTRALIA**

middleby.com.au

211-217 Woodpark Road, Smithfield NSW 2164
1800 013 123 | +61 2 9604 7333

