



# 800 SERIES CHAR BROILER



## RBA48L - Gas

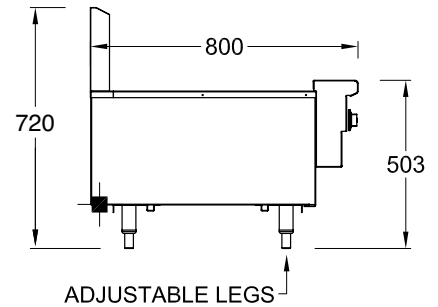
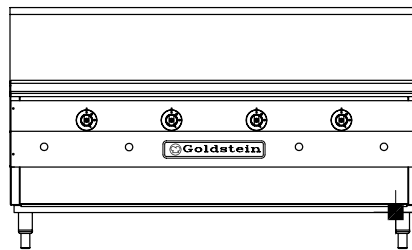
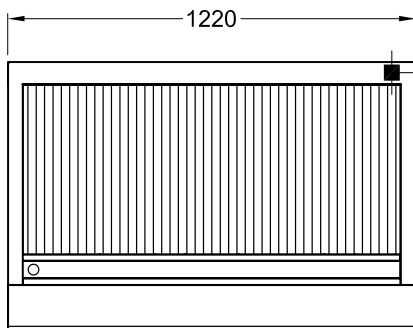
- Heavy duty cast iron reversible grates provide greater control when cooking and energy efficiency
- Heavy duty fully welded steel body ensures rigidity and durability
- Stainless steel fascia and sides, spill zone and drip tray for ease of cleaning
- Pilot light standard maximising operating and energy efficiency
- Option of drop on griddle plate provides greater flexibility when cooking

### Other options

Stand or bench mounted

Without splash back

Drop-on griddles 230, 270 or 410mm wide



## RBA48L

### SPECIFICATION

<b>Dimensions (WxDxH)</b>	1220 x 800 x 720 mm
<b>Grill size (WxD)</b>	1118 x 546 mm
<b>Gas connection</b>	3/4" BSP

3/4" BSP Gas Connection

<b>Rating</b>	148 MJ
<b>Weight</b>	180 kg
<b>Packed</b>	0.7 m <sup>3</sup>

Australia's premier food service equipment manufacturer

[middleby.com.au](http://middleby.com.au)

211-217 Woodpark Road, Smithfield NSW 2164  
1800 013 123 | +61 2 9604 7333

 **MIDDLEBY GOLDSTEIN**

