

Technical data sheet for

# TARGET TOP GAS CONVECTION OVEN RANGE 900mm

RN8110GC



- Heavy-duty cast iron top with removable centre ring
- Matched modular height machined top for seamless work surface
- High output dual ring cast iron burner
- GN 2/1 gas convection oven
- Drop down door
- Stainless steel exterior
- Easy clean
- Easy service
- Fully modular
- Low back model (RNL) available

## Overall Construction

- Galvanized steel chassis
- Welded hob surround with 1.5mm 304 stainless steel bull nose
- Splashback and hob sides 1.2mm 304 stainless steel
- Front panels and oven sides 0.9mm 304 stainless steel
- 150mm legs in 63mm dia. heavy-duty 1.2mm 304 stainless steel with adjustable feet

## TARGET TOP

- 3 piece heavy-duty cast iron top with fully machined surface
- Top plates and removable centre with integral spill protection design
- Cast top reinforced with integral heat fins for heat zone definition
- 45MJ dual ring cast iron burner with single control
- Full pilot and flame failure protection
- 50mm thick refractory brick lined burner box for high heat retention
- 2 vitreous enamelled spill trays
- Supplied with heavy-duty centre casting removal tool

## OVEN

- Fully welded and vitreous enamelled oven liner
- GN 2/1 capacity with 4 position racking
- Heavy-duty easy remove heavy wire chrome rack supports
- Cast iron even heat oven sole plate
- 30MJ oven burner
- Pilot and flame failure with piezo ignition
- 100W heavy duty motor
- 200mm diameter heavy-duty circulation fan
- Welded frame drop down door with heavy-duty spring hinge system
- 0.9mm 304 stainless steel door outer
- 1.0mm press formed vitreous enamelled door inner
- High density fibreglass insulated
- Stay cool stainless steel door handle with cast metal handle mounts
- Supplied with two chrome wire oven racks

## Controls

- Large easy use control knobs - heat resistant reinforced
- Easy view control settings on knobs

## TARGET TOP

- Variable high to low burner control
- Single control knob for burner and pilot system
- Flame failure pilot burner
- Manual pilot ignition for reliable operation

## OVEN

- 50-320°C thermostatic control
- Indicator lights for power and heating
- Piezo ignition to pilot burner
- Flame failure
- Fan and burner automatic off when door open

## Cleaning and Servicing

- Removable oven racking and sole plate
- Easy clean vitreous enamel oven and door inner
- Easy clean stainless steel exterior
- Target Top fully serviceable from front of unit
- Bottom sill removable for burner and pilot access
- Door hinge spring adjustable on unit (door outer removed)
- Door disengages for lift off removal and increased service access
- Access to all parts from front of unit

Technical data sheet for

# TARGET TOP GAS CONVECTION OVEN RANGE 900mm



## Specifications

### Burners

45MJ dual ring cast iron - Target Top  
30MJ tubular - Oven

### Gas power

75MJ/hr, 20.8kW

### Oven Fan Motor

100W

### Electrical requirements

0.13kW

230-240Vac, 50/60hz, 1P+N+E, 0.6A

### Target Top

Cooking surface 900mm x 625mm, 5625cm<sup>2</sup>

Centre 280mm diameter

Maximum plate temperature at centre 500°C

### Oven Dimensions

Width 665mm

Depth 590mm

Height 385mm

Rack size 660mm x 540mm

Rack positions 4

### Gas connection

R 3/4 (BSP) male

130mm from RH side, 31mm from rear,

and 655mm from floor

Optional underside connection

(refer specification drawing)

All units supplied with Natural and LP gas

regulator

### Electrical connection

23mm from RH side, 484mm from rear,

and 150mm from floor

Power cord with 10A 3 pin plug fitted

### DIMENSIONS

Width 900mm

Depth 805mm

Height 915mm

Incl. splashback 1130mm

Incl. low back 970mm

### NETT WEIGHT

265kg

### PACKING DATA

1.03m<sup>3</sup>, 330kg

Width 945mm

Depth 870mm

Height 1255mm

### GAS TYPES

Available in Natural gas and LP gas

Please specify when ordering

Units supplied complete with gas type conver-

sion kits

Other gas types on request

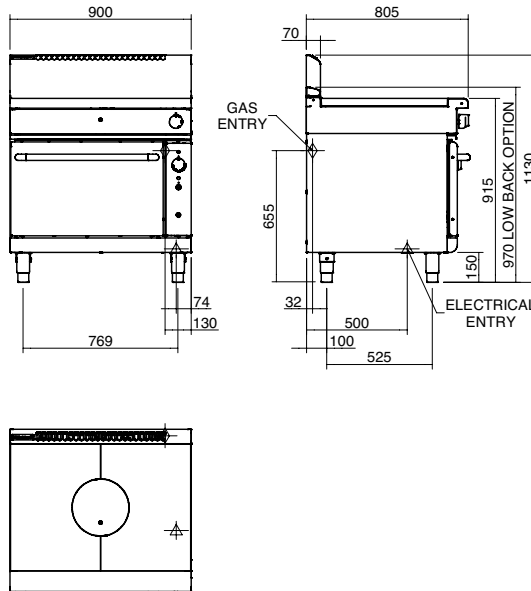
### OPTIONS AT EXTRA COST

Joining caps

Castors

Plinth mounting

RN8110GC



[moffat.com.au](http://moffat.com.au)

[moffat.co.nz](http://moffat.co.nz)

### Australia

[moffat.com.au](http://moffat.com.au)

### Moffat Pty Limited

Victoria/Tasmania

740 Springvale Road

Mulgrave, Victoria 3170

Telephone +613-9518 3888

Facsimile +613-9518 3833

[vsales@moffat.com.au](mailto:vsales@moffat.com.au)

New South Wales

Telephone +612-8833 4111

[nswsales@moffat.com.au](mailto:nswsales@moffat.com.au)

South Australia

Telephone +613-9518 3888

[vsales@moffat.com.au](mailto:vsales@moffat.com.au)

Queensland

Telephone +617-3630 8600

[qldsales@moffat.com.au](mailto:qldsales@moffat.com.au)

Western Australia

Telephone +618-9413 2400

[wasaless@moffat.com.au](mailto:wasaless@moffat.com.au)

New Zealand

[moffat.co.nz](http://moffat.co.nz)

Moffat Limited

Rolleston

45 Illinois Drive

Izone Business Hub

Rolleston 7675

Telephone +64 3-983 6600

Facsimile +64 3-983 6660

[sales@moffat.co.nz](mailto:sales@moffat.co.nz)

Auckland

Telephone +64 9-574 3150

[sales@moffat.co.nz](mailto:sales@moffat.co.nz)



Cert. No. 6918

In line with policy to continually develop and improve its products, Moffat Limited reserves the right to change specifications and design without notice.

© Copyright Moffat Ltd  
AN.W8.08/19

an Ali Group Company



The Spirit of Excellence