

GLASS DOOR MERCHANDISER SWING DOOR

SGM-49

FEATURES

- **LED LIGHTING INTERIOR DISPLAY SYSTEM**

Brighter and longer lasting LED lights provide attractive, enhanced illumination compared to fluorescents. It saves energy by producing less heat, while maximizing the visibility in the display area.

- **MODERN DESIGN**

By harmonizing curvature and rigidity, our modern style product designs are user-friendly while maintaining the highest product visibility and aesthetics.

- **DOUBLE PANE GLASS DOORS WITH LOW-E GLASS**

Energy saving double pane glass doors are equipped with Low-emissivity glass, which reduce outer heat gain and decrease energy consumption. It enhances energy efficiency and minimizes condensation. Lightweight door construction also reduce door maintenance and bushing wear, which in turn facilitates smoother door openings.

- **EFFICIENT REFRIGERATION SYSTEM**

SKIPIO's solid door refrigerators are designed with oversized and balanced (CFC Free R-134A) refrigeration systems. These include efficient evaporators and condensers for faster cooling and greater efficiency.

- **HIGH-DENSITY POLYURETHANE INSULATION**

The entire cabinet structure are foamed-in-place using high density, CFC free polyurethane insulation.

- **ERGONOMIACALLY DESIGNED DOORS**

Customer fatigue fades away with easy grip handles and doors that open effortlessly. These features along with self-closing doors make this the ultimate choice in customer convenience.

- **MAGNETIC DOOR GASKETS**

Magnetic door gaskets are of one piece construction, removable without tools for ease of cleaning and replacement.

- **ADJUSTABLE, HEAVY DUTY, PE(POLYURETHANE) COATED WIRE SHELVES**



Sydney Branch

ADD: 218 Woodpark Road Smithfield NSW 2164
TEL: +61 2 8798 5061 / 5283 / 5581
X: +61 2 8798 5707
EMAIL: admin@skipio-australia.com

Melbourne Branch

ADD: 55 Lara Way Campbellfield VIC 3061
TEL: +61 3 8405 3359 / 9408 - 4081
X: +61 3 9408 9384
EMAIL: adminvic@skipio-australia.com

Brisbane Branch

ADD: 3/74 Murdoch Circuit, Acacia Ridge 4110 QLD
TEL: +61 7 3155 0250
EMAIL: adminqld@skipio-australia.com

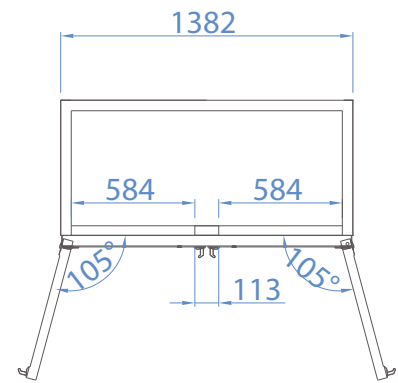


www.skipio.com.au

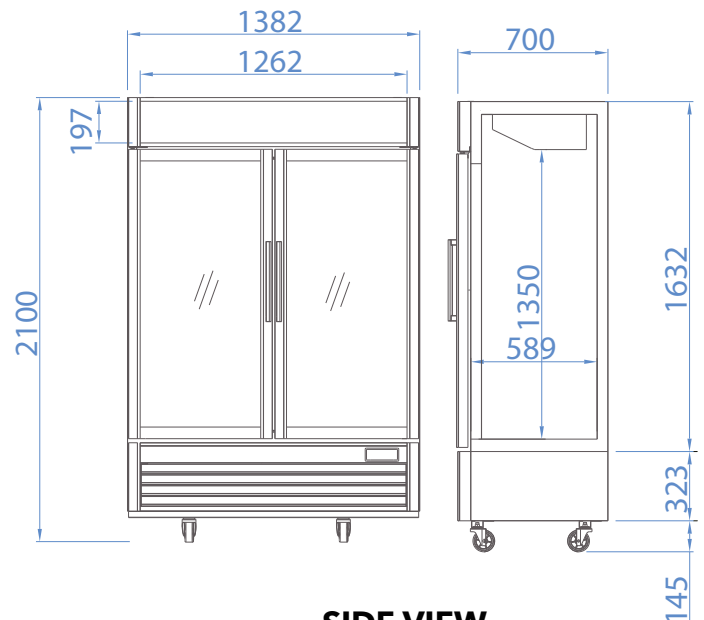
GLASS DOOR MERCHANDISER SWING DOOR

MODEL	SGM-49
Classification	Refrigerator
Cabinet Dimension (WxDxH mm)	1382 x 700 x 2100
Capacity (Liters)	1039
Inner Temperature(°C)	1°C~8°C
Ambient Temperature(°C)	40°C
Number of Doors	2
Number of Shelves	8
Refrigent	R-134A
Lamp	LED lamp
Insulation Type	Polyurethane/ Cyclopentane + CFC Free
Amps(A)	2A
Voltage(V/Hz/Ph)	240V / 50Hz / 1PH
Power(W)	435W
Weight(Kg)	160Kg
Power plug	10A

PLAN VIEW



TOP VIEW



SIDE VIEW



Sydney Branch
 ADD : 218 Woodpark Road Smithfield NSW 2164
 TEL : +61 2 8798 5061 / 5283 / 5581
 X : +61 2 8798 5707
 EMAIL : admin@skipio-australia.com

Melbourne Branch
 ADD : 55 Lara Way Campbellfield VIC 3061
 TEL : +61 3 8405 3359 / 9408 - 4081
 X : +61 3 9408 9384
 EMAIL : adminvic@skipio-australia.com

Brisbane Branch
 ADD : 3/74 Murdoch Circuit, Acacia Ridge 4110 QLD
 TEL : +61 7 3155 0250
 EMAIL : adminqld@skipio-australia.com

