

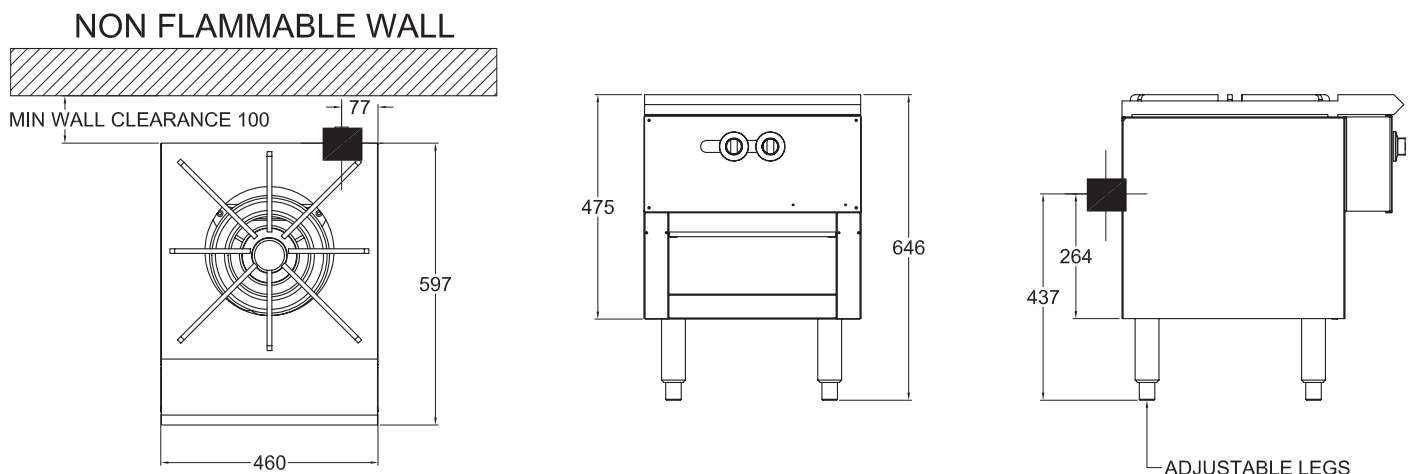


800 SERIES STOCK POT BOILING TABLE



SPI855FFD - Gas

- Triivet one piece cast
- Pilot flame failure on open burner
- Side & back finished in stainless steel
- External face stainless steel
- Stainless steel adjustable legs



SPI855FFD

SPECIFICATIONS

Dimensions (WxDxH)	460 x 597 x 645
Burners	Single dual ring burner
Gas Connection	3/4" BSP

3/4" BSP Gas Connection

Rating	54 MJ
Weight	59 kg
Packed	0.2 m ³

Australia's premier food service
equipment manufacturer

 **MIDDLEBY AUSTRALIA**

goldstein.com.au

211-217 Woodpark Road, Smithfield NSW 2164
1800 013 123 | +61 2 9604 7333

