



# TEPPANYAKI PLATE

20mm thick Plate

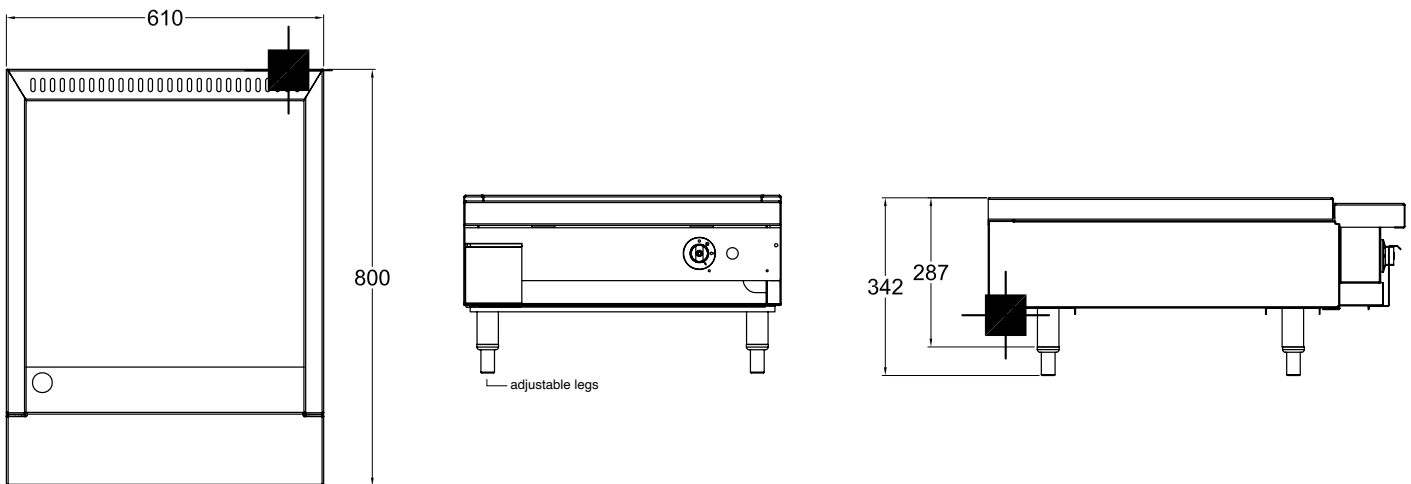


## TK24 - Gas

- 20mm thick mild steel plate maximises heat retention for consistent cooking
- Heavy duty cast iron 40 Mj/hr burner
- Stainless steel hob, fascia and plate surround for easy cleaning

### Other options

Stand or bench mounted



## TK24

### SPECIFICATIONS

|                           |                    |
|---------------------------|--------------------|
| <b>Dimensions (WxDxH)</b> | 610 x 800 x 345 mm |
| <b>Plate Size (WxDxH)</b> | 527 x 524 x 20 mm  |
| <b>Gas Connection</b>     | 3/4" BSP           |

■ 3/4" BSP Gas Connection

|               |                    |
|---------------|--------------------|
| <b>Rating</b> | 40 Mj              |
| <b>Weight</b> | 60 kg              |
| <b>Packed</b> | 0.2 m <sup>3</sup> |

Australia's premier food service equipment manufacturer



[middleby.com.au](http://middleby.com.au)

211-217 Woodpark Road, Smithfield NSW 2164  
1800 013 123 | +61 2 9604 7333

