



# A Perfect Wine - Any Time

Quality, Design and Innovation



WTes 5972



# LIEBHERR



**Electronic LCD Display:** Intuitive navigation of our touch electronic control system enables tailored storage options. The digital temperature display can be viewed via the UV tinted glass door.



**Presentation shelf:** The practical shelf of our Vinidor range fulfils both bottle storage and presentation functions, while telescopic rails enable smooth shelf sliding. Bottles can be stored horizontally at the rear.



**LED lighting:** The light in the cooling compartments can be dimmed to give a pleasing ambient light inside the appliance.

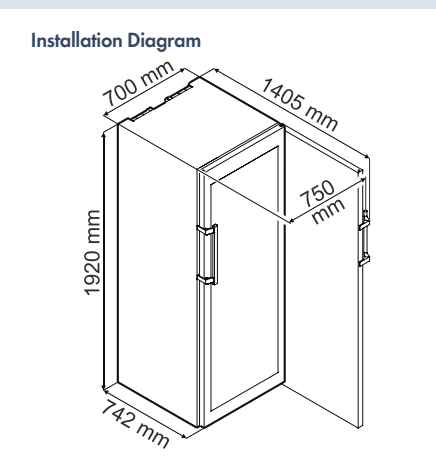
Only under perfect conditions can a good wine develop into a really excellent vintage and be guaranteed to maintain its long-term quality. Liebherr's **WTes 5972** wine cabinet offers the ideal solution. Employing state of the art climate technology with heating and cooling circuits as well as air filtration they ensure the very best conditions for wines to quietly mature and develop their full flavour.

This model comes with two temperature zones, which can be set independently between +5°C and +20°C. The varying sizes of the temperature zones, together with the fully adjustable temperature controls, is suitable for just about any collection of wine.

**WTes 5972**  
Vinidor

- LED
- Wine
- Telescopic Rails

°Energy consumption (kWh/yr)   24hr	°248   0.679
Bottle capacity (750ml Bordeaux)	211
Safety glass door	•
Control system   Display	SoftTouch   LCD
Digital temperature display	Internal
Tinted glazed door	Double
Temperature zones	2
Temperature range (°C) Min   Max °C	5   20
Suitable for ambient temperature Min   Max °C	16   43
Interior light	Dimmable LED
Hand crafted beech wood shelves   Telescopic rails	7   •
Presentation shelf   Base shelves	•   2
Recirculated air cooling   Fresh air supply via activated charcoal filter	•   2
Handle design	Aluminium
Integrated opening mechanism	•
Key lock   Label holders	•   •
Temp alarm   Door open warning signal   Malfunction warning signal	•   •   •
Ventilation switch   Automatic defrosting	•   •
Door hinge	Right, reversible
Gross weight (kg)   Net weight (kg)	137   125
Voltage (V)   Rated Current (A)	220-240   1.0
Made In	Austria



Activated Charcoal Filter  
Part no.: 3988129100

° = Measurements taken at +25°C ambient and +12°C interior temperature tested by Liebherr Germany (not to Australian standards).

*Note: Whilst every effort is made to ensure all specifications and information in this flyer are accurate, Liebherr reserves the right to make changes without notification. Where actual appliance measurements, specifications, and ratings are crucial, we recommend that the actual appliance installation instructions that accompany each appliance be checked. Liebherr will not be liable for any loss.*

Subject to modification. Current data see home.liebherr.com.au (240321)